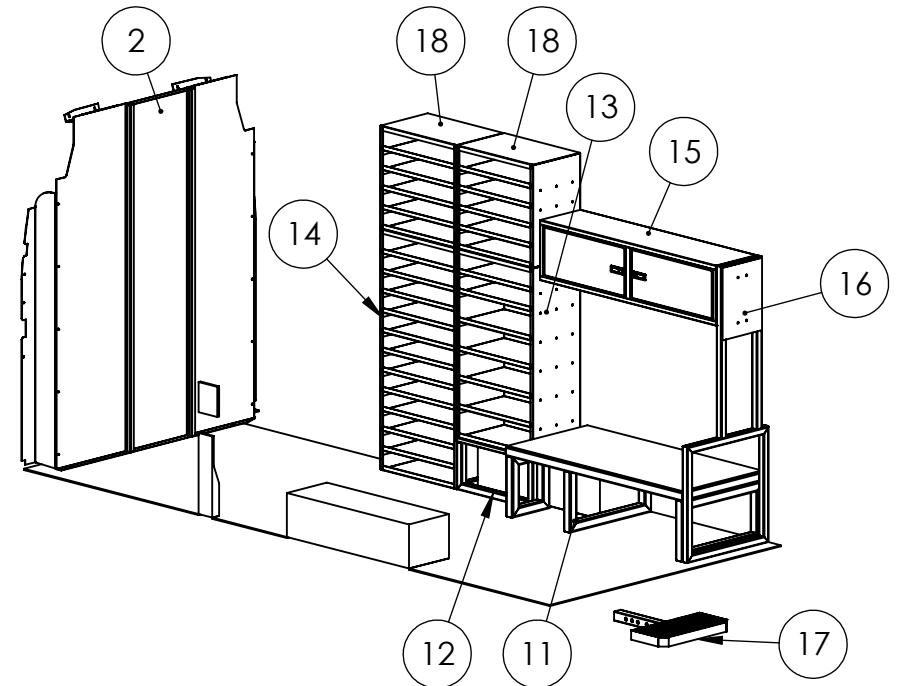
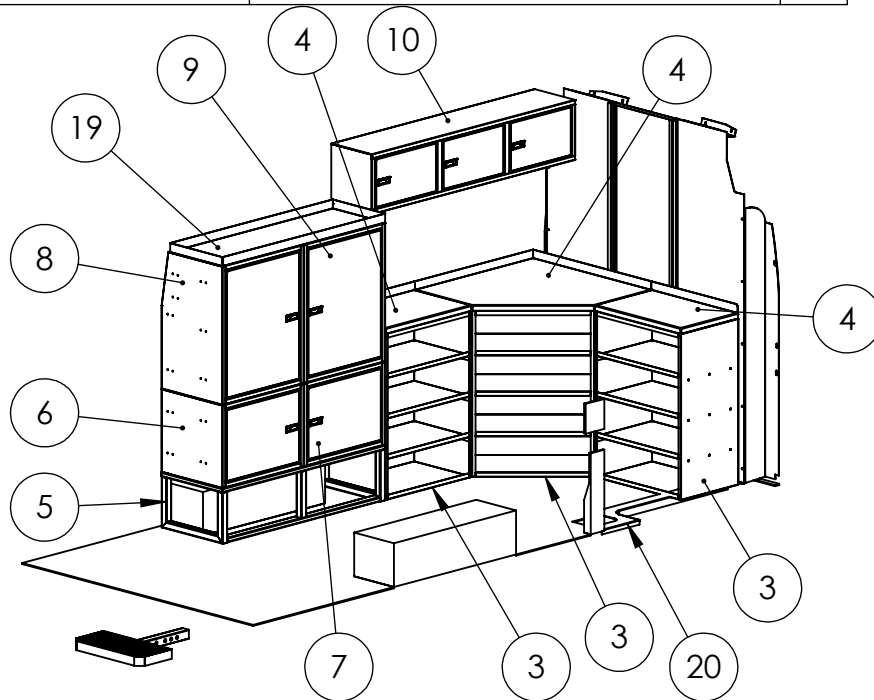


Item	Part number	Title	Qty
11	HSU-15.52.24-01	GENERATOR FRAME	1
12	HSU-12.23.14-01	SUPPORT BRIEFCASE MODULE (CUSTOM)	1
13	HAR-41.23.14-01	MODULE A VALISES (CUSTOM)	1
14	HAR-52.23.14-01	MODULE A VALISES (CUSTOM)	1
15	HAR-13.52.12-2C-01	INTERIOR BOX WITH COMPRESSION LATCH	1
16	HSU-62.24.02-01	SUPPORT FOR AIR REEL (CUSTOM)	1
17	HPL-0009	HITCH STEP ASSEMBLY (FIX)	1
18	HAR-22.23.14-01	MODULE A VALISES (CUSTOM)	2
19	HTA-02.48.16-01	SHELF	1
20	HPL-0010	SLIDING DOOR EDGE TRANSIT	1

Item	Part number	Title	Qty
1	FORD TRANSIT 148WB (EXTENDED) HIGH ROOF	FORD TRANSIT 350 HD, HIGH ROOF, 148WB, JUMBO	1
2	HCL-75.58.2-06	PARTITION TRANSIT HIGH ROOF (STANDARD)	1
3	HAR-36.26.17-01	MODULE A VALISES (7H X 23L X 16P)	3
4	HET-01.61.61-01	ALU. WORKBENCH ASSY	1
5	HSU-12.48.18-02	CABINET SUPPORT	1
6	HAR-18.24.18-1C-2A-2-01	STORAGE BOX	1
7	HAR-18.24.18-1C-2A-2-02	STORAGE BOX	1
8	HAR-30.24.18-1C-2A-2-01	STORAGE BOX	1
9	HAR-30.24.18-1C-2A-2-02	STORAGE BOX	1
10	HAR-13.60.12-3C-01	INTERIOR BOX WITH COMPRESSION LATCH	1



HALRAI
 HALRAI INDUSTRIES INC.
 La Technologie au Service du Rangement
 340 Marie Curie, Vaudreuil-Dorion, J7V 5V5
 Tel.: 450 455 8884 : Fax: 450 455 6902
 www.halrai.com

Drawn by: J.P. | Date: 15-Mar-21

EXCLUSIF ET CONFIDENTIEL
 LES INFORMATIONS CONTENUES DANS CETTE MISE EN PLAN SONT LA PROPRIETE DE HALRAI INDUSTRIES INC. TOUTE REPRODUCTION PARTIELLE OU TOTALE SANS L'AUTORISATION ECRITE DE HALRAI INDUSTRIES INC. EST INTERDITE.

TITLE:
 FORD TRANSIT, HIGH ROOF,
 EXTENDED LAYOUT

P/N:
HAM-KEBEC-EXPERT-01

Project/Customer:
 KEBEC EXPERT

REV
1

P/O: | W/O: