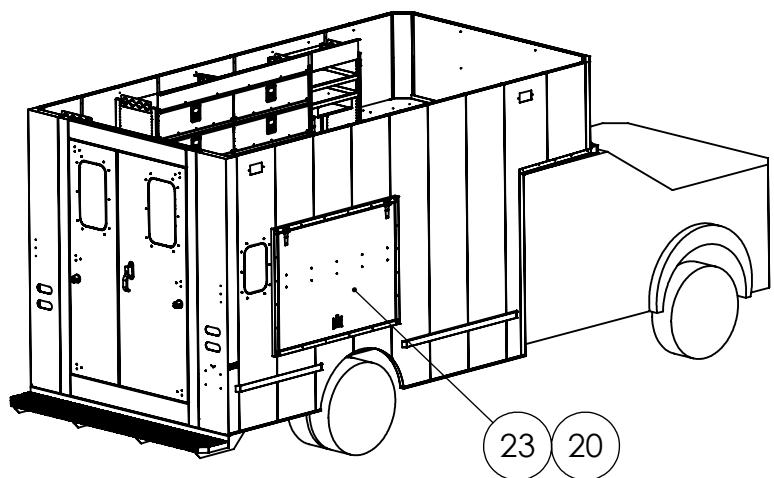
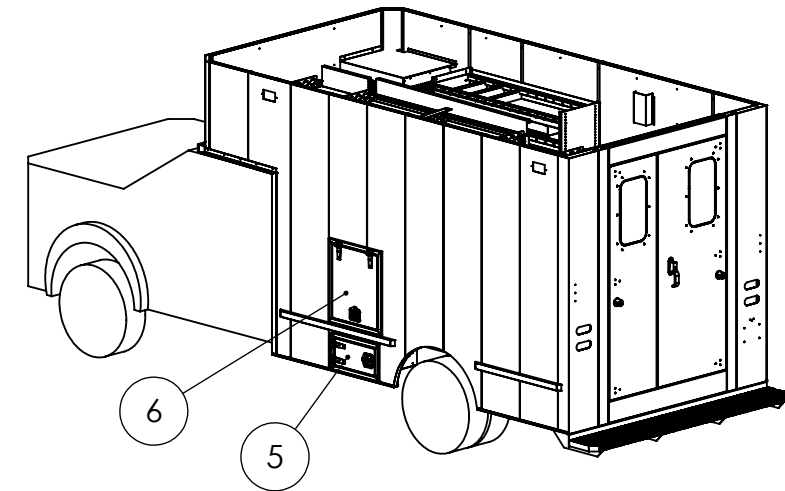


Item	Part number	Title	Qty	Item	Part number	Title	Qty
29	HMT-62.61.18-2S-4-01	SHELF MODULE	1	1	RAM 5500 CUMMINS 84CA TRUCK	RAM 5500 CUMMINS 84 CA	1
30	HMT-72.73.19-6L-3S-4-02	SHELF MODULE	1	2	HKAP-CARRIERES-QUEBEC-01	KAPALCO BOX	1
31	HSU-04.19.05-01	REEL HOSE END SUPPORT	1	3	HCT-13.22.20-2I-CB-R0-01	2x DRAWER BLUE KNOB	1
32	HCT-11.22.19-2I-2T-R1-01	2X DRAWER TRIMARK	1	4	HCT-29.24.21-6I-CB-R0-01	6X DRAWER MODULE (5X TWO WAY DRAWERS)	1
33	HCT-14.24.19-2I-2T-R1-01	2X DRAWER TRIMARK	2	5	HPO-13.22.02-1R-01	LOWER DRAWER DOOR	1
34	HET-01.54.27-01	WORKBENCH S.S.	1	6	HPO-25.29.02-1R-01	UPPER DRAWER DOOR	1
35	HSU-0173	60 LITRE BARREL SUPPORT	1	7	HMT-72.24.18-2H-2-01	2X SHELVING MODULE	1



8	HSU-7.19.19-01	SUPPORT FOR TANK	1
9	HRE-33.18.18-01	NEW OIL TANK 175L	1
10	HSU-22.14.10-01	TORCH KIT SUPPORT (MANULIFT) LINCOLN: KH990	1
11	HRE-24.48.14-01	USED OIL TANK 264L	1
12	HSU-3.49.15-01	SUPPORT FOR TANK	1
13	HSU-12.37.12-01	FREON TANK SUPPORT	1
14	HRE-12.12.12-01	OIL PAN	1
15	HSU-05.15.13-01	SUPPORT FOR TANK 14-3/8W x 12-3/8D	2
16	HRE-19.15.13-01	NEW OIL TANK 48L	2
17	HSV-FLAMBEAU-724-2-8	BRIEFCASE MODULE (FLAMBEAU 724-2)	1
18	HSV-FLAMBEAU-724-2-1	BRIFCASE MODULE COVER (FLAMBEAU 724-2)	1
19	HSU-02.15.21-01	4X BATTERY BOX ASSEMBLY (ENERWATT WPHR6-225)	1
20	HBT-39.54.29-1R-01	GENERATOR BOX MILLER ENPAK A30GBW DIESEL REMOVABLE BACK PANEL	1
21	HSU-06.03.27-01	GENERATOR SUPPORT BRACKETS MILLER ENPAK A30GBW	1
22	HSU-05.47.25-01	MILLER ENPAK A30GBW DIESEL	1
23	HBT-39.54.29-1R-01TEMP_A01	GENERATOR BOX WHITE CAPPING	1
24	HAM-MANULIFT-01_A01	ELECTRICAL COVER	1
25	HAM-MANULIFT-01_01	HOSE COVER	1
26	HAM-MANULIFT-01_05	WIRING COVER	1
27	HAM-MANULIFT-01_06	BRACKET (COIL)	1
28	HSU-VICE-01	VICE SUPPORT	1

HALRAI
HALRAI INDUSTRIES INC.
La Technologie au Service du Rangement
340 Marie Curie, Vaudreuil-Dorion, J7Y 5V5
Tel.: 450 455 8884 : Fax: 450 455 6802
www.halrai.com

Drawn by: J.P. | Date: 23-Feb-21

EXCLUSIF ET CONFIDENTIEL
LES INFORMATIONS CONTENUES DANS CETTE MISE EN PLAN SONT LA PROPRIETE DE HALRAI INDUSTRIES INC. TOUTE REPRODUCTION PARTIELLE OU TOTALE SANS L'AUTORISATION ECRITE DE HALRAI INDUSTRIES INC. EST INTERDITE.

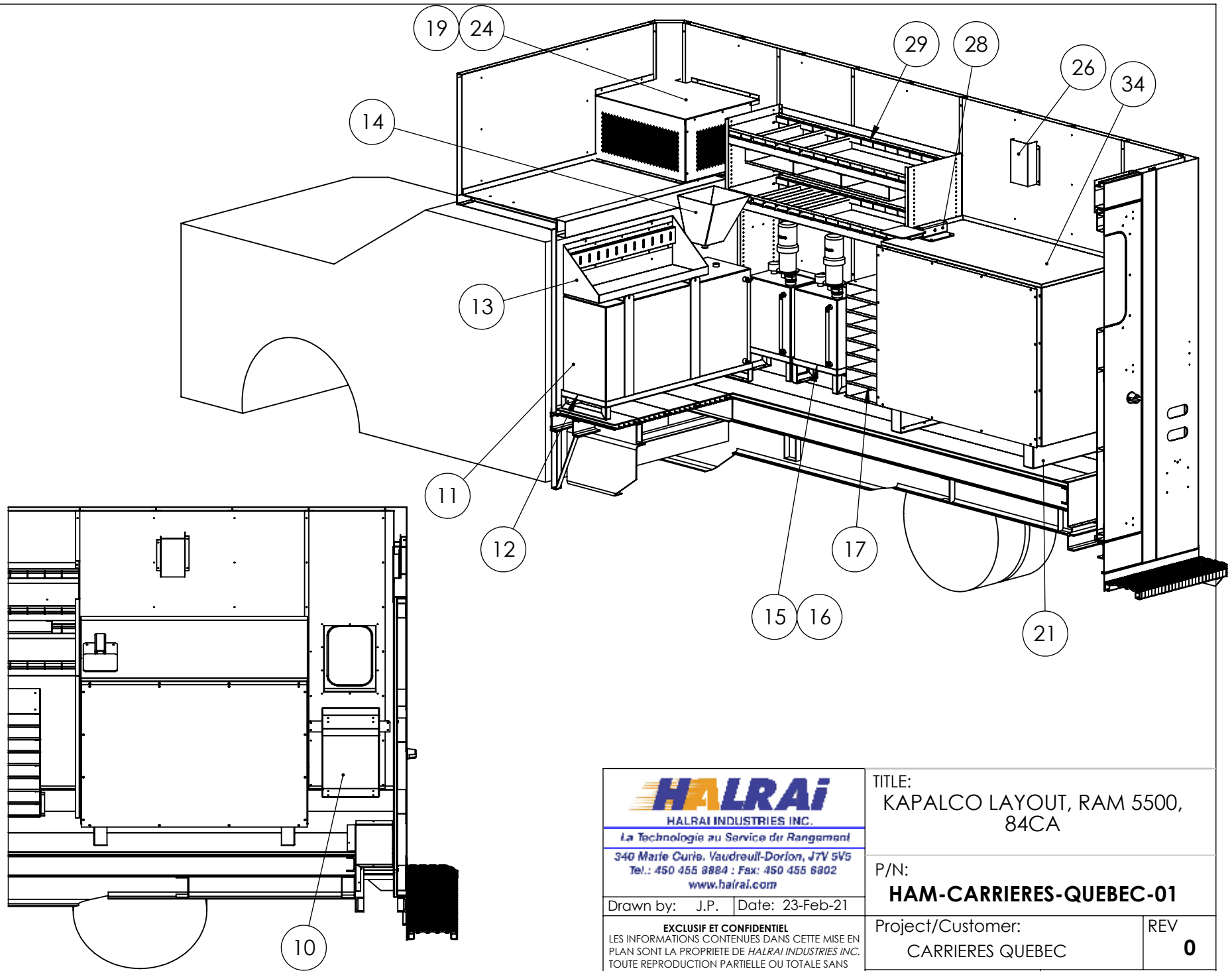
TITLE:
KAPALCO LAYOUT, RAM 5500,
84CA

P/N:
HAM-CARRIERES-QUEBEC-01

Project/Customer:
CARRIERES QUEBEC

REV
0

P/O:
W/O: 20385

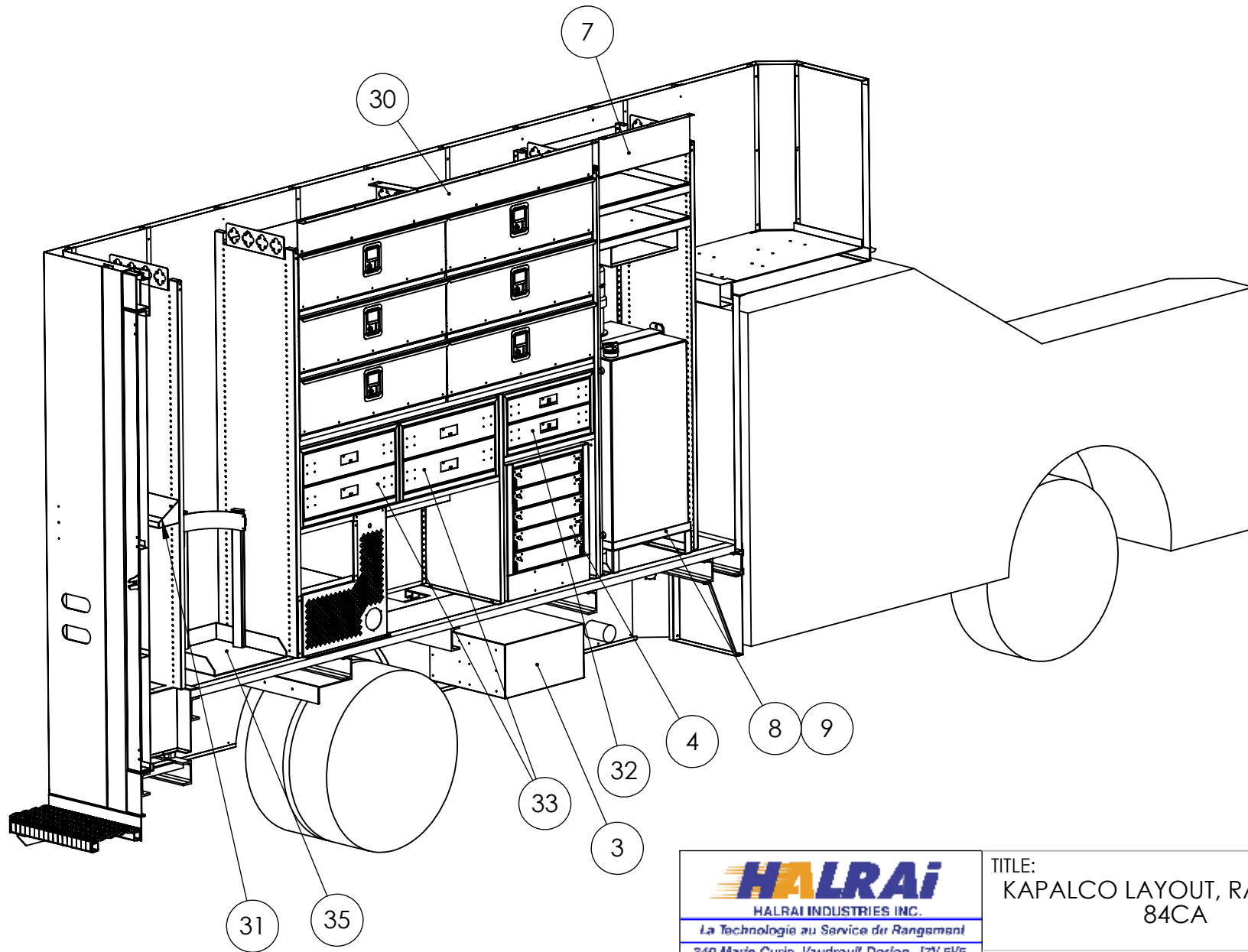


HALRAI
 HALRAI INDUSTRIES INC.
 La Technologie au Service du Rangement
 340 Marie Curie, Vaudreuil-Dorion, J7Y 5V5
 Tel.: 450 455 8884 : Fax: 450 455 6902
 www.halrai.com

Drawn by: J.P. | Date: 23-Feb-21

EXCLUSIF ET CONFIDENTIEL
 LES INFORMATIONS CONTENUES DANS CETTE MISE EN PLAN SONT LA PROPRIETE DE HALRAI INDUSTRIES INC. TOUTE REPRODUCTION PARTIELLE OU TOTALE SANS L'AUTORISATION ECRITE DE HALRAI INDUSTRIES INC. EST INTERDITE.

TITLE: KAPALCO LAYOUT, RAM 5500, 84CA	
P/N: HAM-CARRIERES-QUEBEC-01	
Project/Customer: CARRIERES QUEBEC	REV 0
P/O:	W/O: 20385



HALRAI
 HALRAI INDUSTRIES INC.
 La Technologie au Service du Rangement
 340 Marie Curie, Vaudreuil-Dorion, J7Y 5V5
 Tel.: 450 455 8884 : Fax: 450 455 6902
 www.halrai.com

Drawn by: J.P. | Date: 23-Feb-21

EXCLUSIF ET CONFIDENTIEL
 LES INFORMATIONS CONTENUES DANS CETTE MISE EN
 PLAN SONT LA PROPRIETE DE HALRAI INDUSTRIES INC.
 TOUTE REPRODUCTION PARTIELLE OU TOTALE SANS
 L'AUTORISATION ECRITE DE HALRAI INDUSTRIES INC.
 EST INTERDITE.

TITLE:
 KAPALCO LAYOUT, RAM 5500,
 84CA

P/N:
HAM-CARRIERES-QUEBEC-01

Project/Customer:
 CARRIERES QUEBEC

REV
0

P/O:
 W/O: 20385