

# HALRAi

Our manufacturing capabilities are extremely flexible, we can fabricate on your Sprinter chassis any turn key project. Interiors are custom fabricated to suite your requiements.



Insulated vacum formed panels

## HALRAi

Halrai utilizes the latest technologies in its fabrication process, from miticulus welding procedureds , to vacum forming and glueing.



Heavy duty tool boxes



### CUSTOM AT ITS BEST!!

We manufacture the best aluminum interiors on the market, and stock a wide variety products enabling you to choose components from our standard product line. Conversions made the professional way with first class service.

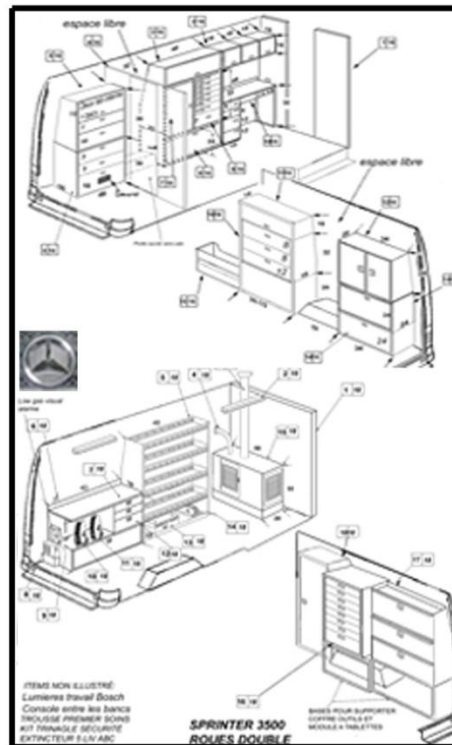
Personalized CAD drawings enable you to customize your work space. We are in business to make you more efficient, come and feel the difference we can make.



Standard bin shelving

# HALRAi

## Manufacturing Company



Sprinter Packages  
Room for Storage  
Room for Work

# HALRAi

Halrai offers many accessories, from specilaized storage bins to custom work benches, we have the products to upfit your Sprinter. Close collaboration with our clients is our trade mark.



work bench solutions



Halrai has a 25 thousand sqaure feet ultra modern fabricating facility located in Vaudreuil-Dorion Quebec. We transfrom hunderds of Sprinters per year, and work extensively with Mercedes Benz to create efficient work trucks

## Turning Technology into Solutions



**Everything you need  
for your Sprinter**

# HALRAI

Tel.: 450-455-8884

1-888-559-9092

Fax : 450-455-6802

Email: dilopierre@halrai.com

**HALRAI INDUSTRIES INC.**

**Technology at Work for Professionals**

www.halrai.com



Professional grade

**HALRAI**  
COMMERCIAL van equipment

The commercial vehicle industry is always on the move. Halrai's proactive approach to the market enables dynamic development for new products to be a primary issue.



Affordable solutions

Choose from our standard products, or we can manufacture to suite your requirements.



Halrai offers the Prime design ladder rack, its unique features, and aluminum construction makes this product the best in its class.

# HALRAI

**YOUR PARTNER FOR SPRINTER  
WORKTRUCK SOLUTIONS**



25 years ago the Di Lorenzo family dreamed of fabricating world class high quality products, today Halrai Industries is recognized across North America as a leader in its industry segment.

**Halrai has the Right Stuff  
for all Trades**

**General Delivery  
Gas and Electric Repair  
Utility Service  
Locksmith  
Plumbing  
Heating and Air Conditioning**

